

from  
**Collars, Etc. Pattern Company**

[www.collarsetc.com](http://www.collarsetc.com)

instructions for making a  
**Pinwheel Flower**

by  
**Trudy Horne**



With two straight pins make a cross. ILLUS. 1. The distance between pinholes of one pin should not be greater than 1/4".

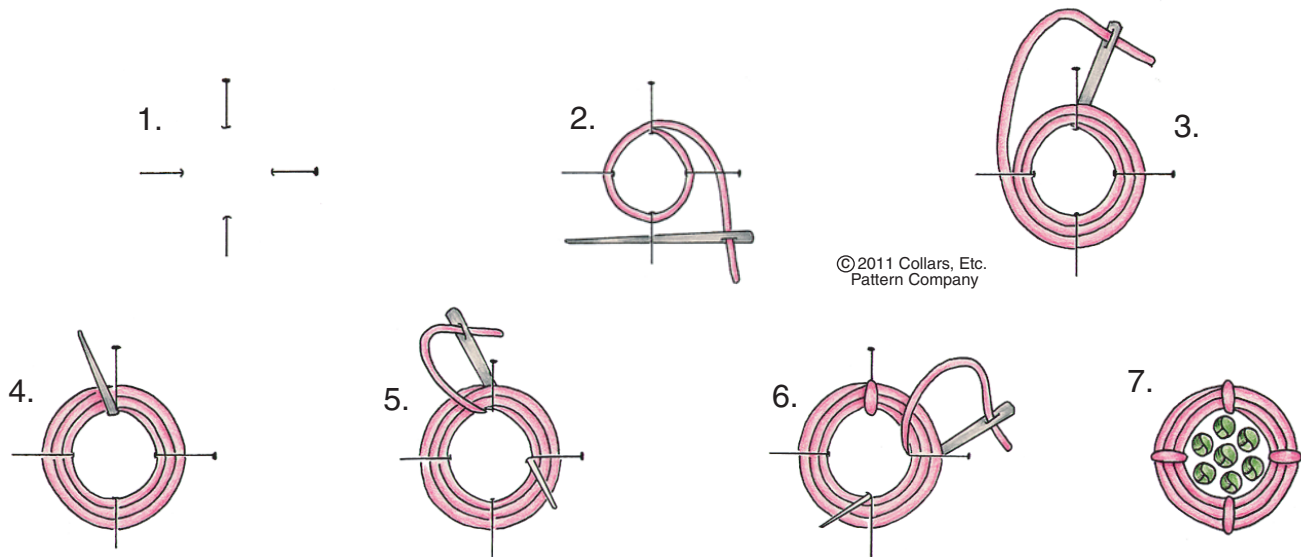
Using one strand of floss doubled over with the two ends knotted\*, come up from the wrong side near one pinhole. Wrap thread under pins. ILLUS. 2.

After coming full circle on the third wrap, sink needle just outside circle of wrapped threads. ILLUS. 3. Bring needle up just inside circle. ILLUS. 4.

The circle of wrapped threads is now ready to be tacked down (this tacking down of laid thread is called couching): Insert needle just outside the circle, bringing needle up inside circle at next (second) pinpoint. ILLUS. 5. Insert needle just outside circle, bringing needle up inside circle at next (third) pinpoint. ILLUS. 6. Continue in the same manner until circle of threads has been couched at all four pinpoints. Tie off on wrong side.

Fill center with French knots. ILLUS. 7. Using one strand of green floss, place two lazy daisy leaves below flower. Angle the leaves and have one smaller than the other, as shown in photo, above.

*Helpful Hint: when couching wrapped threads, think of a clock face, tacking down at 12, 3, 6 and 9 o'clock!*



\*for clarity, illustrations show one strand of floss, although two are called for in instructions.

For more information on this and other projects, go to  
[www.collarsetc.com/news](http://www.collarsetc.com/news)